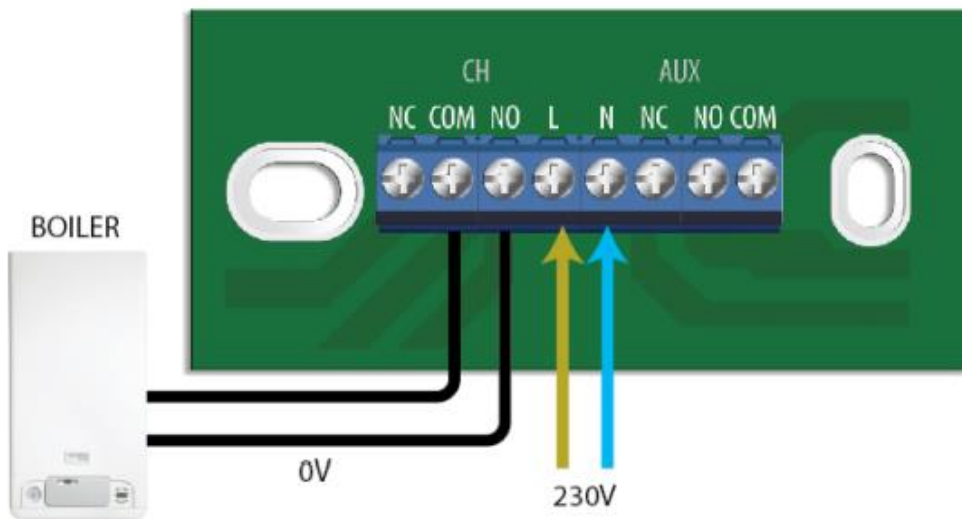
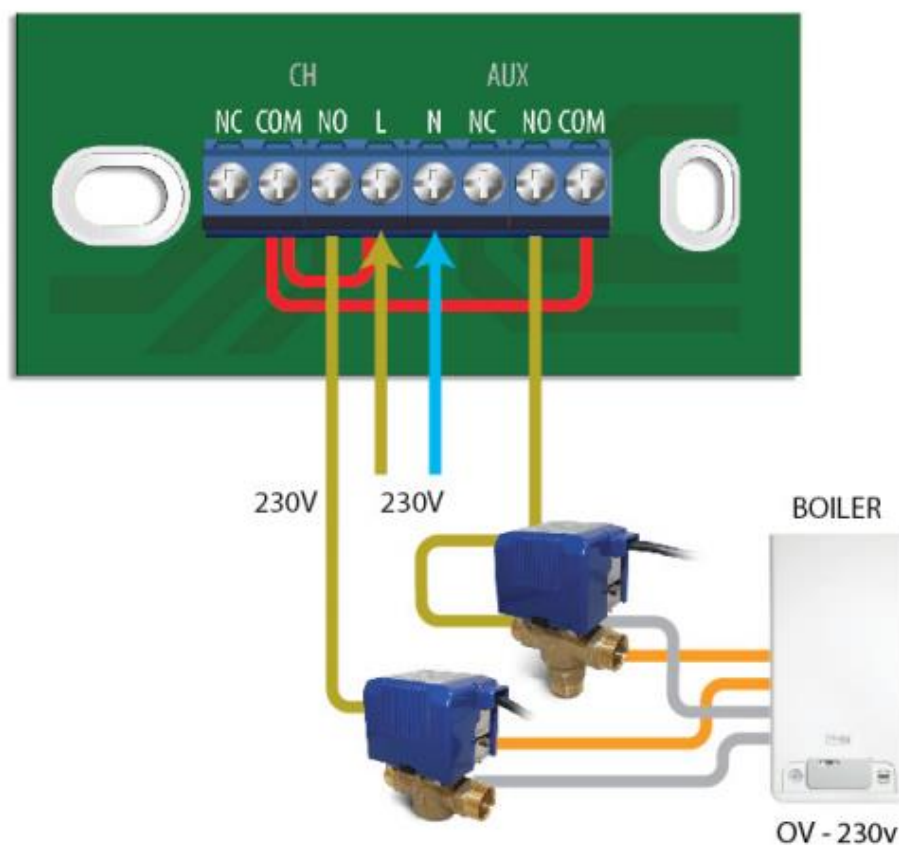


Combination Boilers

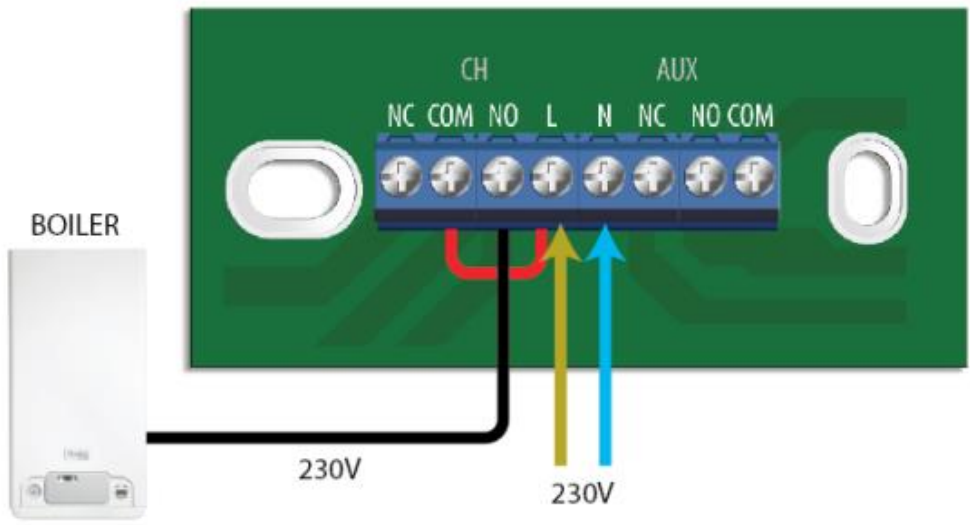
Volt Free – Combination Boiler : One Central Heating Zone Only.



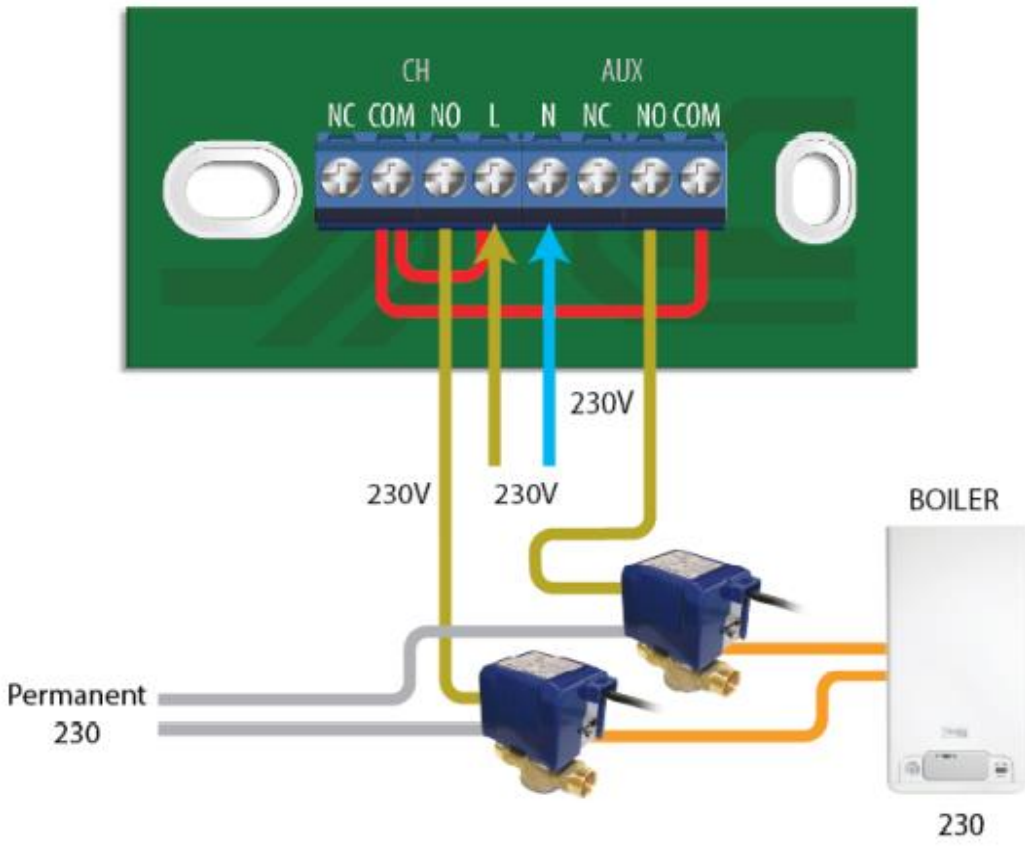
Volt Free – Combination Boiler : Two Central Heating Zones, an iT300 Sensor will be required for this configuration.



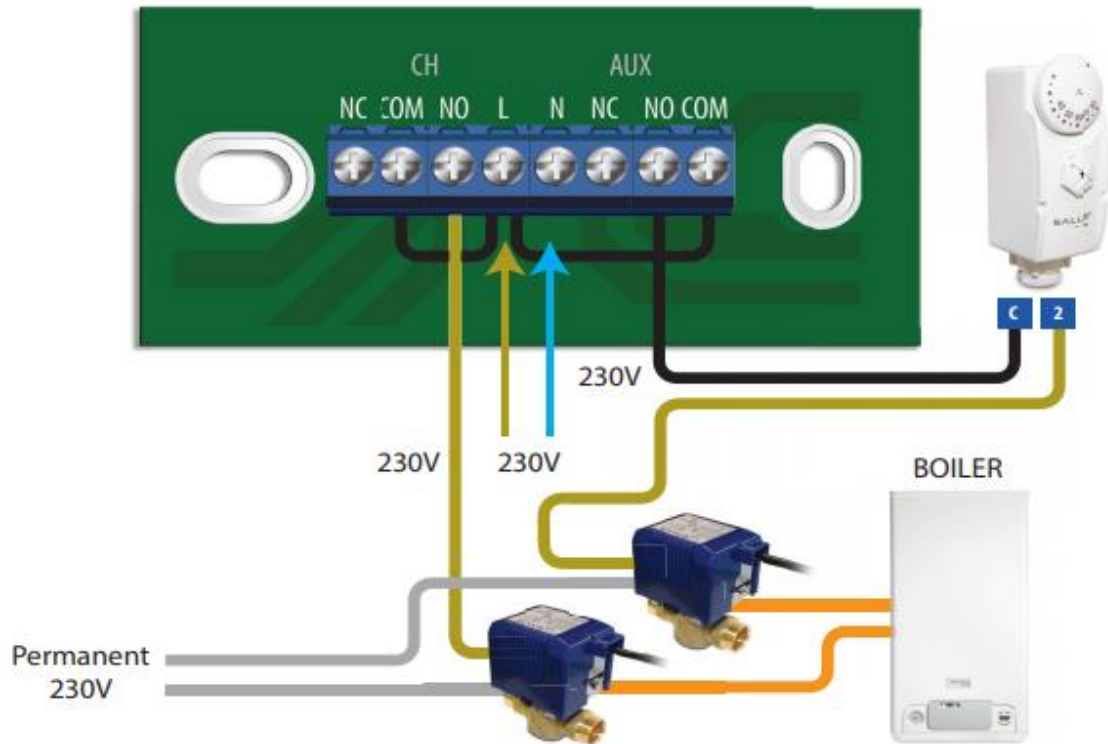
230v Switching – Combination Boiler: One Central Heating Zone only.



230v Switching – Combination Boiler: Two Central Heating Zones, an iT300 Sensor will be required for this configuration.



230v Switching – S Plan : One Central Heating Zone plus Hot Water.



230v Switching – Y Plan : One Central Heating Zone plus Hot Water.

